

滤芯

PP熔喷滤芯
大流量折叠滤芯
微孔折叠滤芯

玻璃钢 FRP

袋式过滤器
Bag Filter

保安过滤器
Security filter

大流量过滤器
High flow filter



玻璃钢 FRP

大流量过滤器机组
High flow filter set

FRP 绕性卡箍
Frp-wound clamp

保安过滤器

一、产品特点 (INTRODUCE)

保安过滤器，内装5支PP熔喷滤芯。

- 1、保安过滤器筒体采用玻璃钢缠绕工艺，耐腐蚀，耐高压，无渗漏。
- 2、保安过滤器内部结构新颖合理，下端为密封支撑，并有安装导引，上端有五孔定位密封，并有紧固螺母可调节密封度。
- 3、保安过滤器部件均为玻璃钢模压而成，耐高压，耐腐蚀，无渗漏。
- 4、安装方便，保安过滤器采用手动卡箍式开启，在安装滤芯及更换滤芯时无需任何工具即可操作。

PALL Filter Has 5pcs PPfilter Cartridges :

1. Fully material of Filter Housing is FRP, other FRP inside accessories are all finished by SMC method. Non-corrosive, no leakage and could bear high pressure and high temperature.
2. Filter internal structure design is unique, novelty and reasonable. The customers only need to revolve. The filter cartridge then could be fixed because internal structure has its cartridge positioning function. You do not need touseany tools for change cartridge , it also decrease the time of change cartridge.
3. The installation of cartridge has its automatic alignment function,simpleand convenient.
- 4.Housing is beautiful and generous,process environmental protection.



二、产品选型 (Product Selection)

单位Unit:mm

规格 MODEL	直径 DIAMETER	高度 HEIGHT	侧开口中心距 SIDE OPEN CENTER DISTANCE	进出水口 INLET&OULET	过滤流量 FILTER FLOW	过滤精度 FILTER ACCURACY
WDLPP5-10	210	590	380	DN50	2T/H	1-100 μ m
WDLPP5-20	210	840	630	DN50	3T/H	1-100 μ m
WDLPP5-30	210	1090	880	DN50	5T/H	1-100 μ m
WDLPP5-40	210	1340	1130	DN50	8T/H	1-100 μ m

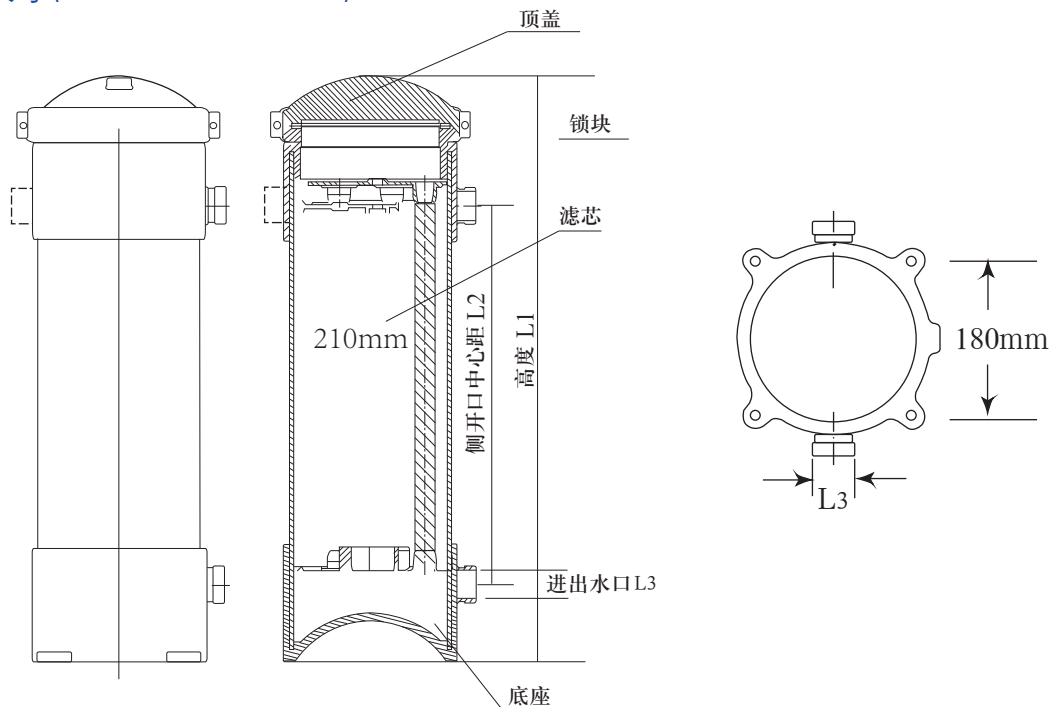
三、工作原理 (HOW TO WORK)

保安过滤器又称精密过滤器，一种压力式过滤装置，采用成型的滤材，在压力的作用下，使原液通过滤材，滤渣留在管壁上，滤液透过滤材流出，从而达到过滤的目的。因滤材的不同，过滤孔径也不相同。精密过滤是介于砂滤(粗滤)与超滤之间的一种过滤，过滤孔径一般在0.5~100 μ m范围。采用熔喷工艺形成的滤材，最高工作温度60 $^{\circ}$ C。精密过滤可去除水中的悬浮物、某些胶体物质和小颗粒物。

Filter is also known as the precision filter. It is a kind of pressure filter device, which adopts the filter material formed by melting and spraying. Under the action of pressure, the original liquid passes through the filter material, the filter slag is left on the pipe wall, and the filtrate flows out through the filter material, so achieve the purpose of filtration. Because of the different filter material, the filtration pore size is also different.

Precision filtration is a kind of filtration between sand filtration (rough filtration) and ultra-filtration. The filtration pore size is generally in the range of 0.5~100 μ m. The same form of filter material, according to the size of the shape can be divided into different specifications. The filter material formed by folding process has a large flux and a maximum working temperature of 60 $^{\circ}$ C. Precision filtration can remove suspended matter, some colloidal matter and small particles from

四、安装尺寸 (INSTALL DIMENSION)



单位Unit:mm

规格 MODEL	高度 HEIGHT L1	侧开口中心距 SIDE OPEN CENTER DISTANCE L2	进出水口 INLET&OULET	滤芯高度 Cartridge Height
WDLPP5-10	590	380	DN50	10寸
WDLPP5-20	840	630	DN50	20寸
WDLPP5-30	1090	880	DN50	30寸
WDLPP5-40	1340	1130	DN50	40寸

五、注意事项 (PRECAUTIONS)

- 1、滤芯安装到位，固定密封块螺母拧紧。
- 2、工作压力不能超过额定范围。
- 3、开机前打开排气阀，空气排尽后关闭排气阀。
- 4、当压差超过额定范围时，及时更换滤材。
- I. Install the filter element in place and tighten the nut of the sealing block.
- II. Working pressure can not exceed the rated range.
- III. Open the exhaust valve before the start, air drain after closing the exhaust valve.
- IV. When the pressure difference exceeds the rated range, timely replacement of the filter material.

袋式过滤器

一、产品特点: (Product Characteristics)

袋式过滤器, 内装 $\phi 180\text{mm}$ 滤袋1个。

- 1、袋式过滤器筒体采用玻璃钢缠绕工艺, 耐腐蚀, 耐高压, 无渗漏。
- 2、袋式过滤器内部结构新颖合理, 下端为镂空支撑, 并有安装滤袋PP网罩固定架, 上端有滤袋定位锁块, 只需要旋转60度就可固定滤袋。
- 3、袋式过滤器部件均为玻璃钢模压而成, 耐高压, 耐腐蚀, 无渗漏。
- 4、安装方便, 袋式过滤器采用手动卡箍式开启, 在安装滤袋及更换滤袋时无需任何工具即可操作。

Bag Filter has 1 pc $\phi 180\text{mm}$ bag cartridge inside of it.

A.Fully Filter Housing and accessories are made of FRP material(which are finished by SMC method) .Non-corrosive, no leakage and could bear high pressure & high temperature.

B.Filter internal structure design is unique, novelty and reasonable. The lower end is supported by a continuous air. The upper end is provided with the filter bag positioning lock block. The filter bag can be fixed only by rotating it 60 degrees.

C.The customers only need to revolve the filter cartridge then could be fixed because internal structure has its cartridge positioning function. Install and change cartridges without any tools, it also decrease the time of change cartridge.

D.The surface of bag filter adopts the laminating process, which is beautiful, environmentally friendly and color adjustable.



二、产品选型 (Product Selection)

单位Unit:mm

规格 MODEL	直径 DIAMETER	高度 HEIGHT	侧开口中心距 SIDE OPEN CENTER DISTANCE	进出水口 INLET& OUTLET	过滤流量 FILTER FLOW	过滤精度 FILTER ACCURACY
WDL-1	210	740	530	DN50	10T/H	1-300 μm
WDL-2	210	1140	930	DN80	20T/H	1-300 μm

三、工作原理 (Operating Principle)

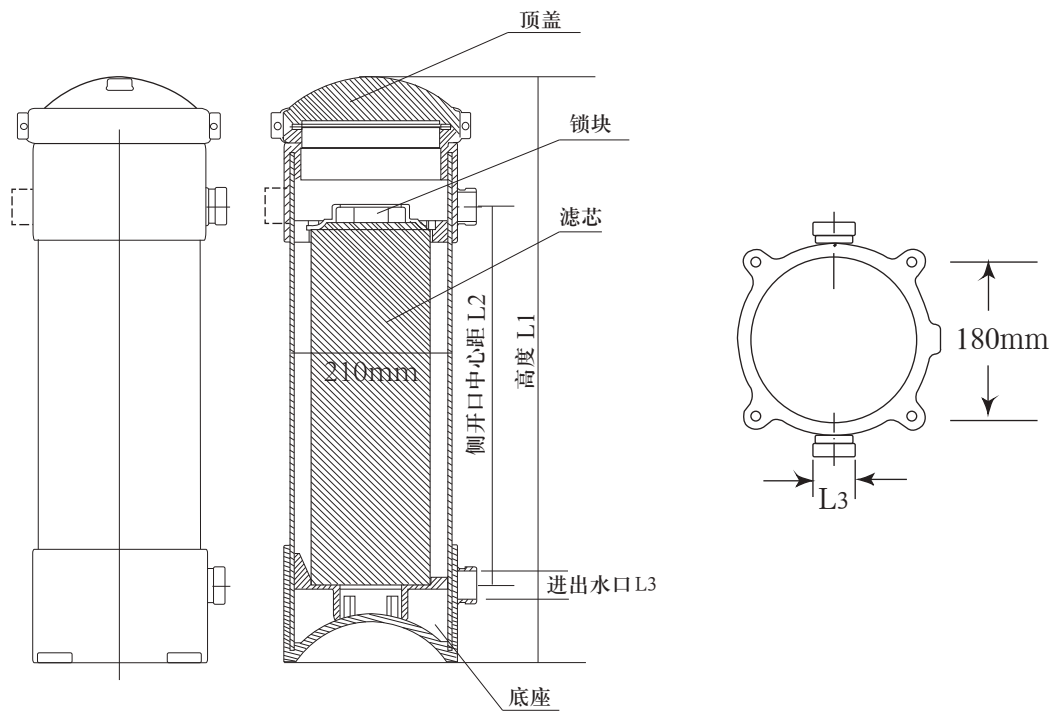
袋式过滤器是一种压力式过滤装置，主要有过滤筒体、过滤筒盖和快开机构、滤袋加强网等主要部件组成，滤液由过滤机上方进水口流入滤袋，滤袋本身是装置在加强网篮内，液体渗透过所需要细度等级的滤袋即能获得合格的滤液，杂质颗粒被滤袋拦截。该过滤器更换滤袋十分方便，过滤基本无物料消耗。

袋式过滤器具备构造合理、密封性好、流通能力强、操作简便等诸多长处。尤其是滤袋侧漏机率小，能正确地保障过滤精度，并能快捷地改换滤袋，使得操作成本下降。滤器内外表面平均、易清洗。

Bag filter is a kind of pressure type filter, filter cylinder, cylinder lid, and main quick opening mechanism, filter bag to strengthen network main parts, such as the filtrate by filter on the side inlet into the filter bag, filter bag itself is a device in strengthening a basket with netting on top, liquid penetrant fineness required for grades of filter bag that can obtain qualified filtrate impurity particles blocked by the filter bag. The filter is very convenient to replace the filter bag, and there is basically no material consumption.

Bag filter has many advantages such as reasonable structure, good sealing, strong circulation ability and easy operation. In particular, the filter bag side leakage probability is small, can correctly guarantee the filtration accuracy, and can quickly change the filter bag, so that the operating cost is reduced. The inner and outer surface of the filter is average and easy to clean.

四、安装尺寸 (Installation Dimension)



单位Unit:mm

规格 MODEL	高度 L1 HEIGHT	侧开口中心距 L2 SIDE OPEN CENTER DISTANCE	进出水口 L3 INLET & OUTLET	滤袋长度 CARTRIDGE LENGTH
WDL-1	740	530	DN50	450mm
WDL-2	1140	930	DN80	810mm

五、注意事项 (Announcements)

- 1、滤材安装到位，固定锁块旋转60度。
- 2、工作压力不能超过额定范围。
- 3、开机前打开排气阀，空气排尽后关闭排气阀。
- 4、当压差超过额定范围时，及时更换滤材。

1. Filter bag fixation needs to be installed in place, lock block rotation 60 degrees
2. Working pressure can not exceed the rated range.
3. Open the exhaust valve before the start, air drain after closing the exhaust valve.
4. When the pressure difference exceeds the rated range, timely replacement of the filter material.

大流量过滤器 (PALL)

一、产品特点: (Product Characteristics)

大流量过滤器, 内装1支PALL滤芯。

- 1、大流量过滤器筒体采用玻璃钢缠绕工艺, 耐腐蚀, 耐高压, 无渗漏。
- 2、大流量过滤器内部结构新颖合理, 下端为镂空支撑, 并有安装导引, 上端有滤芯定位锁块, 只需要旋转60度就可固定滤芯。
- 3、大流量过滤器部件均为玻璃钢模压而成, 耐高压, 耐腐蚀, 无渗漏。
- 4、安装方便, 唯多利大流量过滤器采用手动卡箍式开启, 在安装滤芯及更换滤芯时无需任何工具即可操作。

PALL Type Big Flow Filter has 1 pc PALL cartridge inside of it.

A. Fully Filter Housing and accessories are made of FRP material(which are finished by SMC method) .Non-corrosive, no leakage and could bear high pressure & high temperature.

B. Filter internal structure design is unique, novelty and reasonable. The lower end is supported by a continuous air. The upper end is provided with the filter bag positioning lock block. The filter bag can be fixed only by rotating it 60 degrees.

C. The customers only need to revolve the filter cartridge then could be fixed because internal structure has its cartridge positioning function. Install and change cartridges without any tools, it also decrease the time of change cartridge.

D. The surface of bag filter adopts the laminating process, which is beautiful, environmentally friendly and color adjustable.



二、产品选型 (Product Selection)

单位Unit:mm

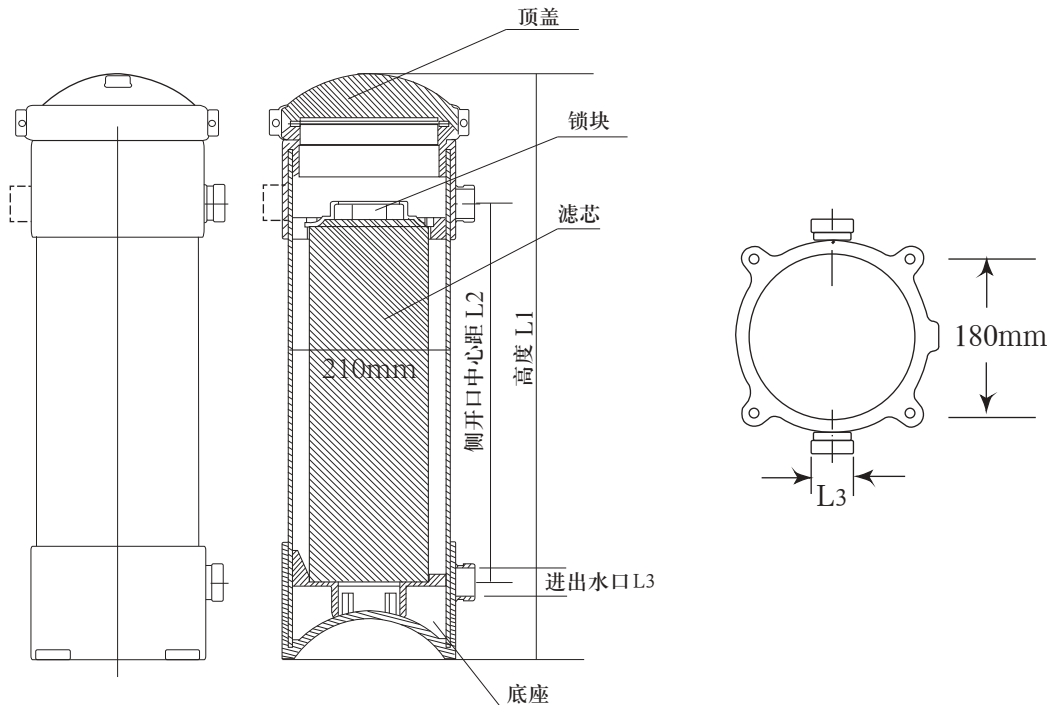
规格 MODEL	直径 DIAMETER	高度 L1 HEIGHT	侧开口中心距 SIDE OPEN CENTER DISTANCE	进出水口 INLET&OULET	过滤流量 FILTER FLOW	过滤精度 FILTER ACCURACY
WPA-10	210	590	380	DN50	8T/H	1-100 μ m
WPA-20	210	840	630	DN50	15T/H	1-100 μ m
WPA-30	210	1090	880	DN80	20T/H	1-100 μ m
WPA-40	210	1340	1130	DN80	30T/H	1-100 μ m
WPA-60	210	1840	1630	DN80	45T/H	1-100 μ m

三、工作原理 (Operating Principle)

大流量保安过滤器又称精密过滤器，一种压力式过滤装置，采用折叠成型的滤材，在压力的作用下，使原液通过滤材，滤渣留在管壁上，滤液透过滤材流出，从而达到过滤的目的。因滤材的不同，过滤孔径也不相同。精密过滤是介于砂滤(粗滤)与超滤之间的一种过滤，过滤孔径一般在0.5~100 μm范围。同种形式的滤材，按外型尺寸可分为不同的规格。采用折叠工艺形成的滤材，通量大，最高工作温度60℃。精密过滤可去除水中的悬浮物、某些胶体物质和小颗粒物。

PALL Large flow Filter is also known as precision filter, a pressure filter device, the use of folded forming filter material, under the action of pressure, make the raw liquid through the filter material, filter residue stay on the wall, filter through the filter material outflow, so as to achieve the purpose of filtering. Because of the different filter material, filter aperture is not the same. Precision filtration is a kind of filtration between sand filtration (coarse filtration) and ultrafiltration. The same form of filter material, according to the external size can be divided into different specifications. The filter material formed by folding process has a large flux and a maximum working temperature of 60℃. Precision filtration can remove suspended matter, some colloids and small particles in water.

四、安装尺寸 (Installation Dimension)



单位Unit:mm

规格 MODEL	高度L1 HEIGHT	侧开口中心距 L2 SIDE OPEN CENTER DISTANCE	进出水口L3 INLET&OUTLET	滤芯尺寸 CARTRIDGE SIZE
WPA-10	590	380	DN50	10"
WPA-20	840	630	DN50	20"
WPA-30	1090	880	DN80	30"
WPA-40	1340	1130	DN80	40"
WPA-60	1840	1630	DN80	60"

五、注意事项 (Announcements)

- 1、滤芯安装到位，固定锁块旋转60度。
 - 2、工作压力不能超过额定范围。
 - 3、开机前打开排气阀，空气排尽后关闭排气阀。
 - 4、当压差超过额定范围时，及时更换滤材。
- 1.Filter bag fixation needs to be installed in place, lock block rotation 60 degrees.
 - 2.Working pressure can not exceed the rated range.
 - 3.Open the exhaust valve before the start, air drain after closing the exhaust valve.
 - 4.When the pressure difference exceeds the rated range, timely replacement of the filter material.

大流量过滤器 (PAKE)

一、产品特点: (Product Characteristics)

大流量过滤器, 内装PAKE款40寸滤芯1支。

- 1、大流量过滤器筒体采用玻璃钢缠绕工艺, 耐腐蚀, 耐高压, 无渗漏。
- 2、大流量过滤器内部结构新颖合理, 下端为密封支撑, 并有安装导引, 过滤器底部有滤芯定位块, 顶部也有固定锁块, 安装滤芯时只需要旋转60度就可固定滤芯。
- 3、大流量过滤器部件均为玻璃钢模压而成, 耐高压, 耐腐蚀, 无渗漏。
- 4、安装方便, 唯多利大流量过滤器采用手动卡箍式开启, 在安装滤芯及更换滤芯时无需任何工具即可操作。

PAKE Type Big Flow Filter has 1 pc 40"PAKE cartridge inside of it.

A.Fully Filter Housing and accessories are made of FRP material(which are finished by SMC method) .Non-corrosive, no leakage and could bear high pressure & high temperature.

B.Filter internal structure design is unique, novelty and reasonable. The lower end is supported by a continuous air. The upper end is provided with the filter bag positioning lock block. The filter bag can be fixed only by rotating it 60 degrees.

C.The customers only need to revolve the filter cartridge then could be fixed because internal structure has its cartridge positioning function. Install and change cartridges without any tools, it also decrease the time of change cartridge.

D.The surface of bag filter adopts the laminating process, which is beautiful, environmentally friendly and color adjustable.



二、产品选型 (Product Selection)

单位Unit:mm

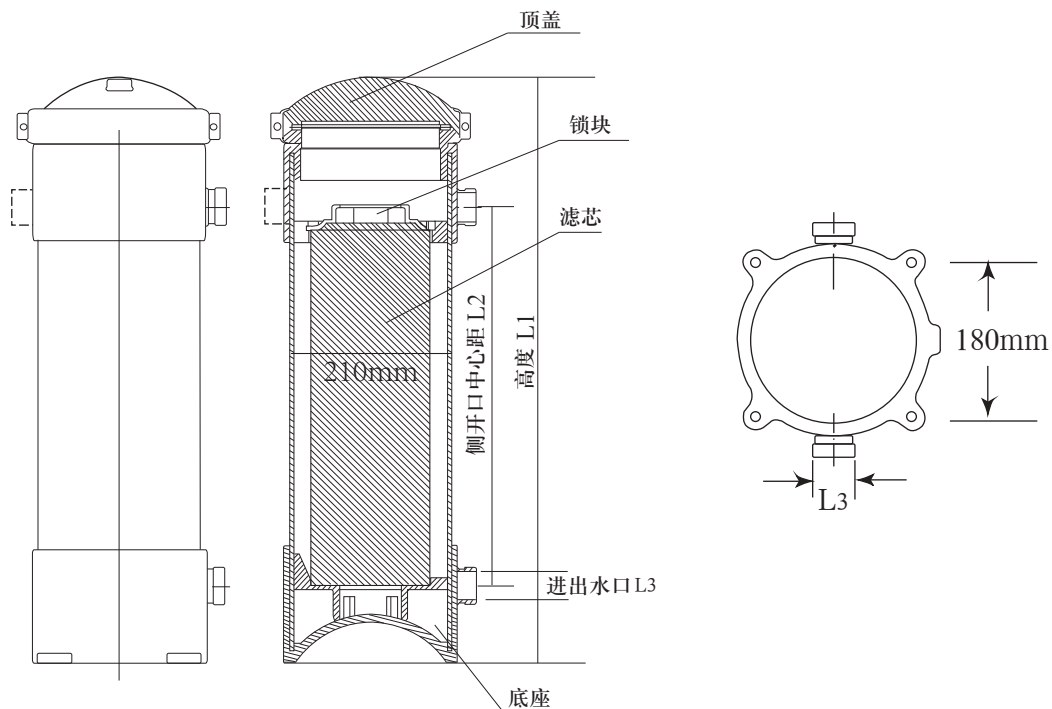
规格 MODEL	直径 DIAMETER	高度 HEIGHT	侧开口中心距 SIDE OPEN CENTER DISTANCE	进出水口 INLET & OUTLET	过滤流量 FILTER FLOW	过滤精度 FILTER ACCURACY
WPK-40	210	1470	1260	DN80	30T/H	1-100 μ m

三、工作原理 (Operating Principle)

大流量保安过滤器又称精密过滤器，一种压力式过滤装置，采用折叠成型的滤材，在压力的作用下，使原液通过滤材，滤渣留在滤芯上，滤液透过滤材流出，从而达到过滤的目的。因滤材的不同，过滤孔径也不相同。精密过滤是介于砂滤(粗滤)与超滤之间的一种过滤，过滤孔径一般在0.5~100 μm范围。同种形式的滤材，按外型尺寸可分为不同的规格。采用折叠工艺形成的滤材，通量大，最高工作温度60℃。精密过滤可去除水中的悬浮物、某些胶体物质和小颗粒物。

PAKE TYPE Large Flow Filter is also known as precision filter, a pressure filter device, the use of folded forming filter material, under the action of pressure, make the raw liquid through the filter material, filter residue stay on the filter core, filter through the filter material outflow, so as to achieve the purpose of filtering. Because of the different filter material, filter aperture is not the same. Precision filtration is a kind of filtration between sand filtration (coarse filtration) and ultrafiltration. The same form of filter material, according to the external size can be divided into different specifications. The filter material formed by folding process has a large flux and a maximum working temperature of 60 C. Precision filtration can remove suspended matter, some colloids and small particles in water.

四、安装尺寸 (Installation Dimension)



单位Unit:mm

规格 MODEL	高度L1 HEIGHT	侧开口中心距 SIDE OPEN CENTER DISTANCE	进出水口L3 INLET&OUTLET	滤芯尺寸 CARTRIDGE SIZE
WPK-40	1470	1260	DN80	40"

五、注意事项 (Announcements)

- 1、滤芯安装到位，固定锁块旋转60度。
- 2、工作压力不能超过额定范围。
- 3、开机前打开排气阀，空气排尽后关闭排气阀。
- 4、当压差超过额定范围时，及时更换滤材。

- 1.Filter bag fixation needs to be installed in place, lock block rotation 60 degrees.
- 2.Working pressure can not exceed the rated range.
- 3.Open the exhaust valve before the start, air drain after closing the exhaust valve.
- 4.When the pressure difference exceeds the rated range, timely replacement of the filter material.

一、产品特点(INTRODUCE)

保安（精密）过滤器，内装22支40寸PP熔喷滤芯。

- 1、保安过滤器制作材料均为玻璃钢 (FRP)，筒体采用玻璃钢缠绕工艺，其他部件采用SMC模压工艺，具有耐腐蚀，耐高压，无渗漏等特点。
- 2、大流量过滤器内部结构新颖合理，过滤器内部设有滤芯定位，放入滤芯后只需要拧紧压板螺母就可密封。
- 3、大流量过滤器采用吊环式螺丝开启，安装滤芯及更换滤芯时操作简单、方便快捷。

FILTER Has 22PCS 40" PP Filter Cartridges Inside of it.

A. Fully material of Filter Housing is FRP, other FRP inside accessories are all finished by SMC method. Non-corrosive, no leakage and could bear high pressure and high temperature.

B. Filter internal structure design is unique, novelty and reasonable. The customers only need to revolve. The filter cartridge then could be fixed because internal structure has its cartridge positioning function. You do not need to use any tools for change cartridge, it also decrease the time of change cartridge.

C. I-DEAL this model Filter is opening with SUS 316 suspension-screws, the design of suspension-screws will provide customers more convenient install and unlock and service.



二、产品选型 (PRODUCT MODEL)

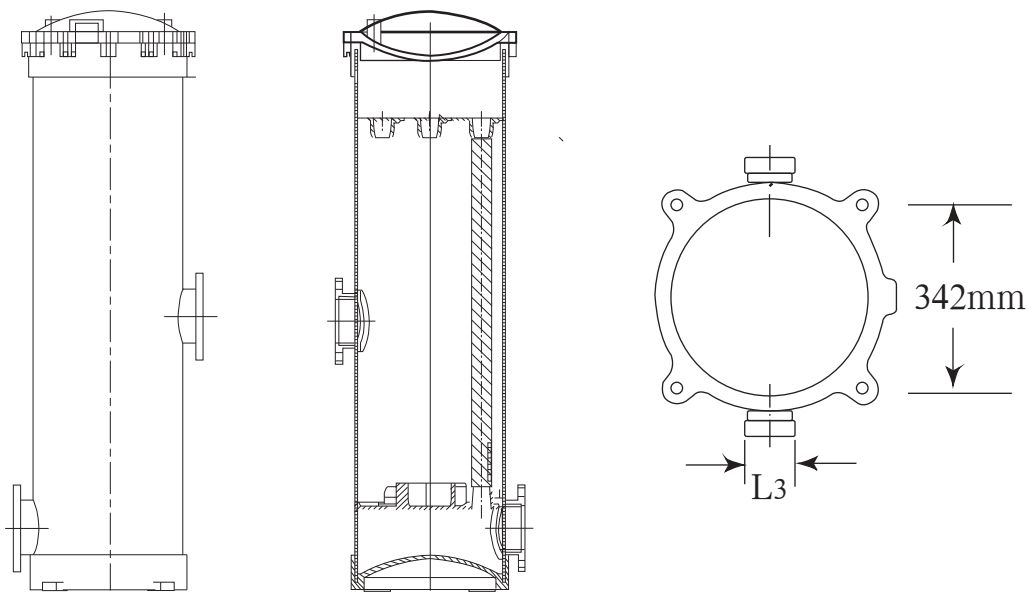
单位Unit:mm

规格 MODEL	直径 Diameter	高度 Height	侧开口中心距 Side opening center distance	进出水口 Inlet & Outlet	流量/H Filter Flow	滤芯精度 Filtering Accuracy
WPP-2	420	1500	350	DN80	25T/H	1~100

三、工作原理 (HOW TO WORK)

保安过滤器又称精密过滤器，一种压力式过滤装置，采用熔喷成型的滤材，在压力的作用下，使原液通过滤材，滤渣留在滤材管壁上，滤液透过材流出，从而达到过滤的目的。因滤材的不同，过滤孔径也不相同。精密过滤是介于砂滤(粗滤)与超滤之间的一种过滤，过滤孔径一般在 $0.5\sim 100\mu\text{m}$ 范围。同种形式的滤材，按外型尺寸可分为不同的规格。采用折叠工艺形成的滤材，通量大，最高工作温度 60°C 。精密过滤可去除水中的悬浮物、某些胶体物质和小颗粒物。

I-DEAL PALL Filter is also known as the precision filter. It is a kind of pressure filter device, which adopts the filter material formed by melting and spraying. Under the action of pressure, the original liquid passes through the filter material, the filter slag is left on the pipe wall, and the filtrate flows out through the filter material, so as to achieve the purpose of filtration. Because of the different filter material, the filtration pore size is also different. Precision filtration is a kind of filtration between sand filtration (rough filtration) and ultra-filtration. The filtration pore size is generally in the range of $0.5\sim 100\mu\text{m}$. The same form of filter material, according to the size of the shape can be divided into different specifications. The filter material formed by folding process has a large flux and a maximum working temperature of 60°C . Precision filtration can remove suspended matter, some colloidal matter and small particles from water.



单位Unit:mm

型号 Model	高度 Height	侧开口中心距 Side opening	进出水口 Inlet & Outlet	滤芯尺寸 Cartridge Size
WPP-22	1500	350	DN80	40"

袋式过滤器

一、产品特点 (INTRODUCE)

袋式过滤器，内装3只2号滤袋。

- 1、大通量过滤器制作材料均为玻璃钢（FRP），筒体采用玻璃钢缠绕工艺，其他部件采用SMC模压工艺，具有耐腐蚀，耐高压，无渗漏等特点。
- 2、大通量过滤器内部结构新颖合理，过滤器内部设有滤袋定位，放入滤芯后只需要旋转锁块就可固定滤袋。
- 3、大通量过滤器采用吊环式螺丝开启，安装滤芯及更换滤芯时操作简单、方便快捷。

BAG FILTER Has 3PCS Standard NO.2 Bag Filter Cartridge Inside of it.

A. Fully material of Filter Housing is FRP, other FRP inside accessories are all finished by SMC method. Non-corrosive, no leakage and could bear high pressure and high temperature.

B. Filter internal structure design is unique, novelty and reasonable. The customers only need to revolve the filter cartridge then could be fixed because internal structure has its cartridge positioning function. You do not need to use any tools for change cartridge, it also decrease the time of change cartridge.

C. I-DEAL NO.2 Filter is opening with SUS 316 suspension-screws, the design of suspension-screws will provide customers more convenient install and unlock and service.



二、产品选型 (PRODUCT MODEL)

单位 Unit : mm

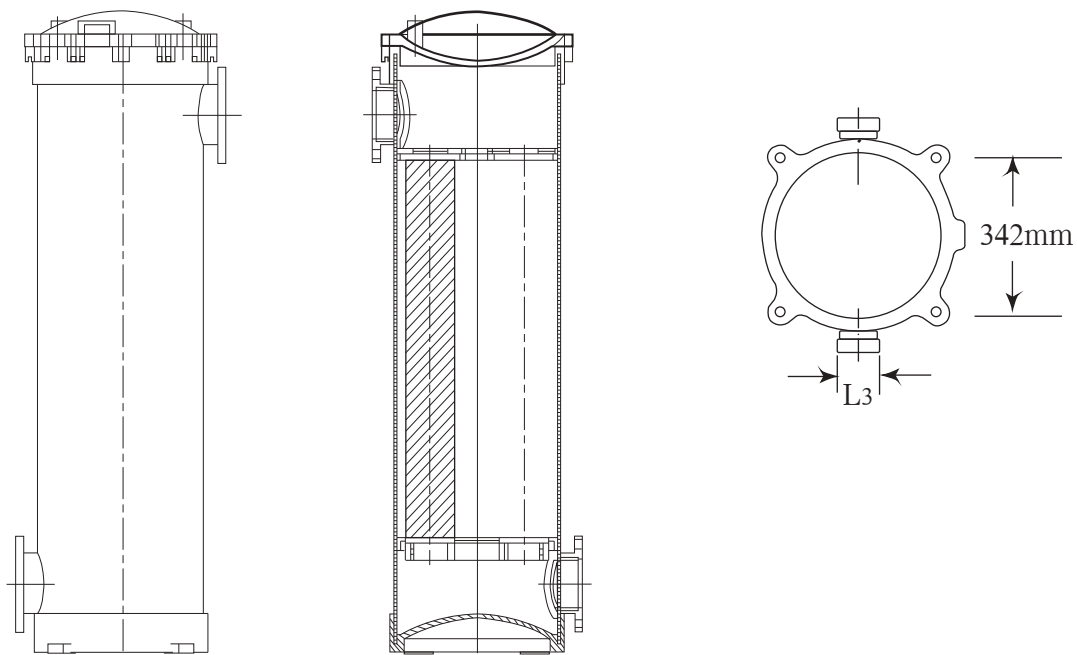
规格 MODEL	直径 DIAMETER	高度 HEIGHT	侧开口中心距 SIDE OPEN CENTER DISTANCE	进出水口 INLET & OUTLET	过滤流量 FILTER FLOW	过滤精度 FILTER ACCURACY
WDL-3	420	1435	1170	DN125	30T/H	1~200

三、工作原理 (HOW TO WORK)

袋式过滤器是一种压力式过滤装置，主要有过滤筒体、过滤筒盖和滤袋加强网篮等主要部件组成，滤液由过滤机上进水口流入滤袋，滤袋本身是装置在加强网篮内，液体渗透过所需要细度等级的滤袋即能获得合格的滤液，杂质颗粒被滤袋拦截。袋式过滤器具备构造合理、密封性好、流通性能强、操作简便等诸多长处。尤其是滤袋侧漏机率小，能正确地保障过滤精度，并能快捷地改换滤袋，使得操作成本下降。滤器内外表面平均、易清洗。

I-DEAL Bag Filter is a kind of high pressure filter device. It is mainly consist of FRP filter housing, FRP housing cover, strengthen net basket, high-precision bag filter cartridge and other accessories. The filter liquid flows into filter bag from the inlet of the upper end of the filter. The filter bag itself is installed in the reinforcement net basket, and the liquid permeates through the filter bag of the required fineness grade to obtain qualified filtrate, and the impurity particles are intercepted by the filter bag. I-DEAL Bag filter has many advantages, such as reasonable structure, good sealing, strong circulation performance, simple operation and so on. In particular, the side leakage probability of the filter bag is small, the filtering accuracy can be guaranteed correctly, and the filter bag can be changed quickly, so that.

四、安装尺寸 (INSTALL DIMENSION)



单位Unit:mm

型号 Model	高度 Height	侧开口中心距 Side opening center distance	进出水口 Inlet & Outlet	滤材型号 Filter Bag Model
WDL-3	1435	1170	DN125	2号袋 No.2 Bag

五、注意事项 (PRECAUTIONS)

- 1、滤袋固定需安装到位，锁块旋转45度。
 - 2、工作压力不能超过额定范围。
 - 3、开机前打开排气阀，空气排尽后关闭排气阀。
 - 4、当压差超过额定范围时，及时更换滤材。
- I. Filter bag fixation needs to be installed in place, lock block rotation 45 degrees
 - II. Working pressure can not exceed the rated range.
 - III. Open the exhaust valve before the start, air drain after closing the exhaust valve.
 - IV. When the pressure difference exceeds the rated range, timely replacement of the filter material.

大流量过滤器

一、产品特点 (INTRODUCE)

玻璃钢 (FRP)保安 (精密) 过滤器, 内装4支 (PAKE)40寸滤芯。压力等级: 150PSI

- 1、大通量过滤器制作材料均为玻璃钢 (FRP), 筒体采用玻璃钢缠绕工艺, 其他部件采用SMC模压工艺, 具有耐腐蚀, 耐高压, 无渗漏等特点。
- 2、大通量过滤器内部结构新颖合理, 过滤器内部设有滤芯定位, 放入滤芯后只需要旋转锁块就可固定滤芯。
- 3、大通量过滤器采用吊环式螺丝开启, 安装滤芯及更换滤芯时操作简单、方便快捷。

PAKE(PRECISION) FILTER Has 4pcs (PAKE) 40" filter cartridges. Pressure Level: 150PSI

A. Fully material of Filter Housing is FRP, other FRP inside accessories are all finished by SMC method. Non-corrosive, no leakage and could bear high pressure and high temperature.

B. Filter internal structure design is unique, novelty and reasonable. The customers only need to revolve. The filter cartridge then could be fixed because internal structure has its cartridge positioning function. You do not need to use any tools for change cartridge, it also decrease the time of change cartridge.

C. NO.2 Filter is opening with SUS 316 suspension-screws, the design of suspension-screws will provide customers more convenient install and unlock and service.



二、产品选型 (PRODUCT MODEL))

规格 MODEL	直径 Diameter	高度 Height	侧开口中心距 Side opening center distance	进出水口 Inlet & Outlet	过滤流量 Filter Flow	过滤精度 Filtering Accuracy
WPK-4	420	1550	1300	DN125	70T/H	1~100

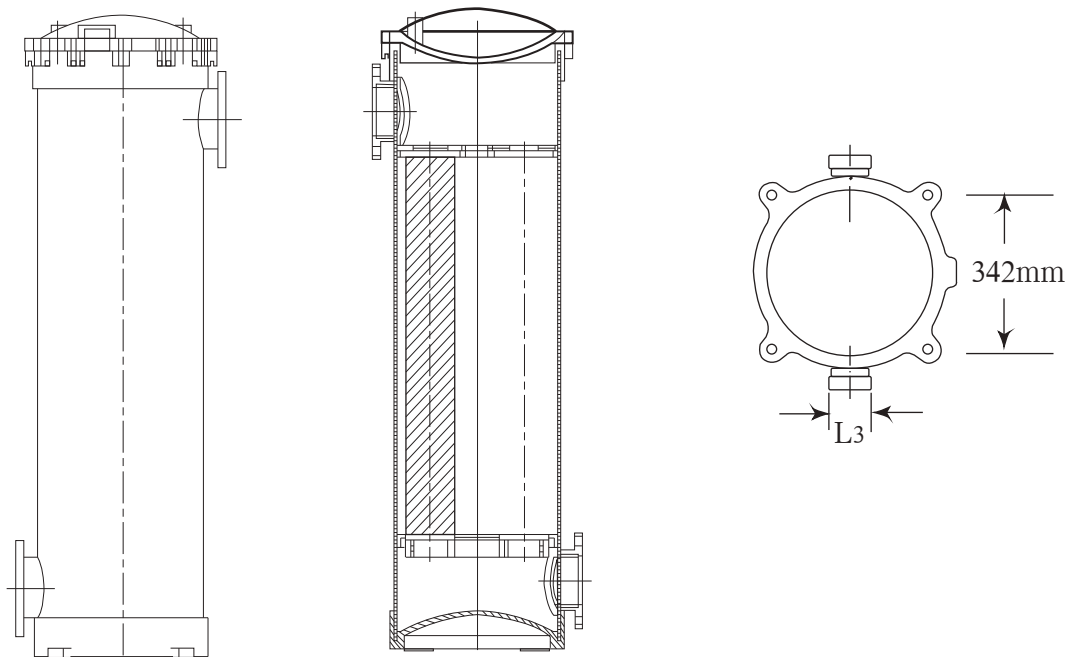
三、工作原理 (HOW TO WORK)

大流量保安过滤器又称精密过滤器，一种压力式过滤装置，采用折叠成型的滤材，在压力的作用下，使原液通过滤材，滤渣留在管壁上，滤液透过滤材流出，从而达到过滤的目的。因滤材的不同，过滤孔径也不相同。精密过滤是介于砂滤(粗滤)与超滤之间的一种过滤，过滤孔径一般在0.5~100 μm范围。同种形式的滤材，按外型尺寸可分为不同的规格。采用折叠工艺形成的滤材，通量大，最高工作温度60℃。精密过滤可去除水中的悬浮物、某些胶体物质和小颗粒物。

I-DEAL Large Flow PAKE Filter is also known as precision filter, a pressure filter device, which works with folded cartridges. Under the action of pressure, the original liquid passes through the filter material, the filter slag is left on the pipe wall, and the filtrate flows out through the filter material. In order to achieve the purpose of filtration. Because of the different filter material, the filtration pore size is also different. Precision filtration is a kind of filtration between sand filtration (rough filtration) and ultra-filtration. The filtration pore size is generally in the range of 0.5 ~ 100 μm.

The same kind of filter cartridge, according to the size of the shape could be divided into different specifications. The filter material formed by folding process has a large flux and a maximum working temperature of 60 °C. Precision filtration can remove suspended matter, some colloidal matter and small particles from water.

四、安装尺寸 ((INSTALL DIMENSION))



单位Unit: mm

规格 Model	高度 Height L1	侧开口中心距 Side opening center distance L2	进出水口 Inlet & Outlet L3	滤芯高度 Cartridge Height
WPK-4	1550	1300	DN125	1008

五、注意事项 (PRECAUTIONS)

- 1、滤芯固定需安装到位，锁块旋转45度。
- 2、工作压力不能超过额定范围。
- 3、开机前打开排气阀，空气排尽后关闭排气阀。
- 4、当压差超过额定范围时，及时更换滤材。

- I. Filter bag fixation needs to be installed in place, lock block rotation 45 degrees
- II. Working pressure can not exceed the rated range.
- III. Open the exhaust valve before the start, air drain after closing the exhaust valve.
- IV. When the pressure difference exceeds the rated range, timely replacement of the filter material.

一、产品特点 (INTRODUCE)

玻璃钢 (FRP)保安 (精密) 过滤器, 内装1支 (pall)40寸滤芯。压力等级: 150PSI

- 1、大通量过滤器制作材料均为玻璃钢 (FRP), 筒体采用玻璃钢缠绕工艺, 其他部件采用SMC模压工艺, 具有耐腐蚀, 耐高压, 无渗漏等特点。
- 2、大通量过滤器内部结构新颖合理, 过滤器内部设有滤芯定位, 放入滤芯后只需要旋转锁块就可固定滤芯。
- 3、大通量过滤器采用吊环式螺丝开启, 安装滤芯及更换滤芯时操作简单、方便快捷。
- 4、流量范围广, 可根据工程需要, 选择组合。

I-DEAL PAKE(PRECISION) FILTER Has 1pcs (PALL) 40" filter cartridges. Pressure Level: 150PSI

- A. Fully material of Filter Housing is FRP, other FRP inside accessories are all finished by SMC method. Non-corrosive, no leakage and could bear high pressure and high temperature.
- B. Filter internal structure design is unique, novelty and reasonable. The customers only need to revolve. The filter cartridge then could be fixed because internal structure has its cartridge positioning function. You do not need to use any tools for change cartridge, it also decrease the time of change cartridge.
- C. Filter is opening with SUS 316 suspension-screws, the design of suspension-screws will provide customers more convenient install and unlock and service.
- D. The range of flow is wide, it could be choose combination according to the needs of the project.

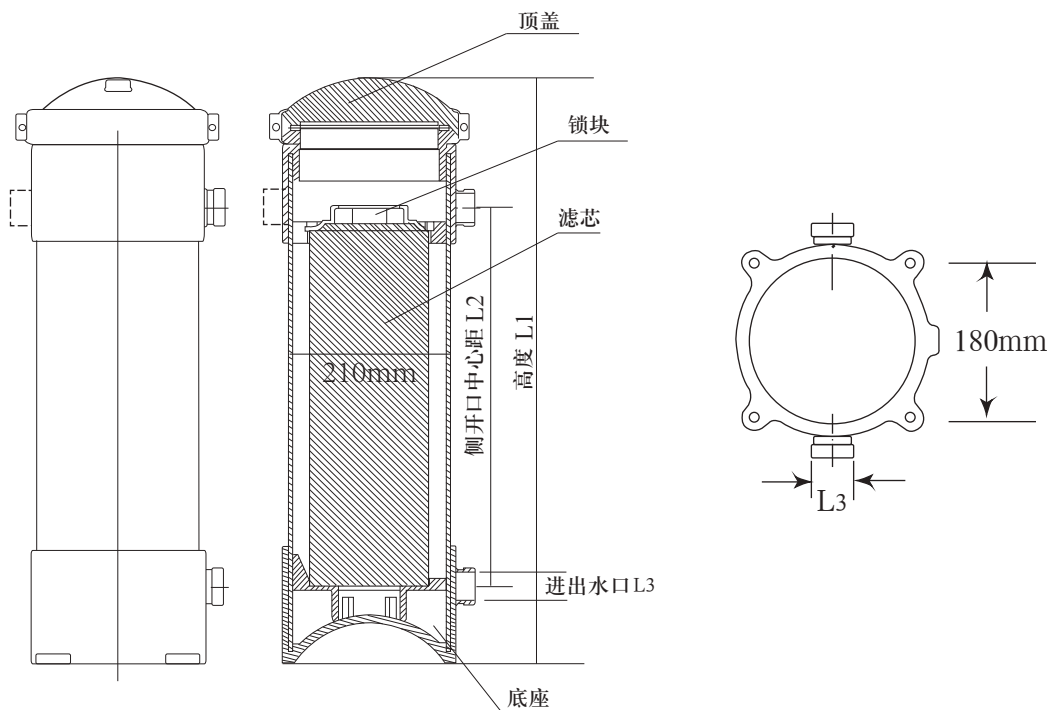


二、工作原理 (HOW TO WORK)

保安过滤器又称精密过滤器，一种压力式过滤装置，采用熔喷成型的滤材，在压力的作用下，使原液通过滤材，滤渣留在滤材管壁上，滤液透过滤材流出，从而达到过滤的目的。因滤材的不同，过滤孔径也不相同。精密过滤是介于砂滤(粗滤)与超滤之间的一种过滤，过滤孔径一般在 $0.5\sim 100\mu\text{m}$ 范围。同种形式的滤材，按外型尺寸可分为不同的规格。采用折叠工艺形成的滤材，通量大，最高工作温度 60°C 。精密过滤可去除水中的悬浮物、某些胶体物质和小颗粒物。

I-DEAL PALL Filter is also known as the precision filter. It is a kind of pressure filter device, which adopts the filter material formed by melting and spraying. Under the action of pressure, the original liquid passes through the filter material, the filter slag is left on the pipe wall, and the filtrate flows out through the filter material, so as to achieve the purpose of filtration. Because of the different filter material, the filtration pore size is also different. Precision filtration is a kind of filtration between sand filtration (rough filtration) and ultra-filtration. The filtration pore size is generally in the range of $0.5\sim 100\mu\text{m}$. The same form of filter material, according to the size of the shape can be divided into different specifications. The filter material formed by folding process has a large flux and a maximum working temperature of 60°C . Precision filtration can remove suspended matter, some colloidal matter and small particles from water.

三、安装尺寸 (INSTALL DIMENSION)



四、注意事项 (PRECAUTIONS)

- 1、滤袋固定需安装到位，滤芯旋转45度。
 - 2、工作压力不能超过额定范围。
 - 3、开机前打开排气阀，空气排尽后关闭排气阀。
 - 4、当压差超过额定范围时，及时更换滤材。
- I. Filter bag fixation needs to be installed in place, lock block rotation 45 degrees
 - II. Working pressure can not exceed the rated range.
 - III. Open the exhaust valve before the start, air drain after closing the exhaust valve.
 - IV. When the pressure difference exceeds the rated range, timely replacement of the filter material.

卡箍及卡箍接头

绕性卡箍主要设计应用于低压微滤、超滤、反渗透、污水处理系统及其它管道连接，采用FRP材料塑性而成，螺栓螺母选用304/316L材质。

尺寸规格：1" to 4" (DN25 to DN100)

最大工作压力：300 psi (21bar)

壳体：

选用FRP材料制成。

橡胶密封圈：

密封圈的结构形式采用“C”型密封结构，材质为EPDM。

螺栓螺母：

采用国际通用标准型号马车螺栓，螺栓螺母材质为304/316L不锈钢。

The main design of I-DEAL winding clamp is applied to low pressure microfiltration, ultrafiltration, reverse osmosis, sewage treatment system and other pipe connections, using FRP material plasticity, bolt nut selection 304/316L material.

Size specification: 1 "to 4" (DN25 to DN100)

Maximum working pressure: \$ psi (21bar)

Shell:

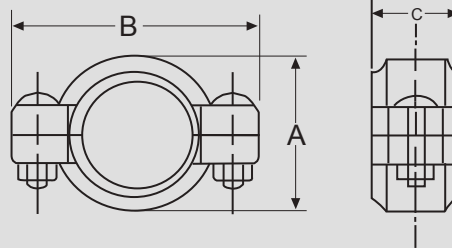
Made of FRP material.

Rubber Sealing Rings:

The structure form of the sealing ring adopts the "C" type sealing structure, the material is EPDM.

Bolt nuts:

The use of international Standard Model carriage bolts, bolt nut material for 304/316L stainless steel.



规格 MODEL	管径尺寸 Pipe diameter size	最大尺寸 Maximum Size	外形尺寸A Boundary Dimension	外形尺寸B Boundary Dimension	外形尺寸C Boundary Dimension
DN25 1"	33.40mm	300psi 20.67bar	68.40mm	98.00mm	42.00mm
DN40 1.5"	48.30mm	300psi 20.67bar	80.00mm	115.20mm	44.00mm
DN50	57.00mm	300psi 20.67bar	96.40mm	130.00mm	44.00mm
DN50 2"	60.30mm	300psi 20.67bar	96.40mm	130.00mm	44.00mm
DN65	73.00mm	300psi 20.67bar	108.00mm	146.20mm	45.40mm
DN65 2.5"	76.10mm	300psi 20.67bar	108.00mm	146.20mm	45.40mm
DN80 3"	88.90mm	300psi 20.67bar	132.00mm	172.40mm	48.20mm
DN100	108.00mm	300psi 20.67bar	158.00mm	192.00mm	52.00mm
DN100 4"	114.30mm	300psi 20.67bar	158.00mm	192.00mm	52.00mm

1. 抗压强度更高

由于采用无损伤（不切割工艺），使整个接头管壁厚度一致，没有薄弱点，提高了整个接头的抗压性能。

2. 密封性更好

无损伤接头外圆采用无心磨加工工艺，表面光洁，能与橡胶密封圈完美结合，大大提升整个结构的密封性能。

3. 外观美观

无损伤沟槽接头所有制作工艺都为统一标准，更具美感。

4. 长度、管壁厚度可根据不同需要定制。

5. 材质可根据不同用户需求选用不锈钢（304、316L、双向不锈钢）、碳钢、铜等金属。

1. Higher compressive strength

Due to the use of no damage (no cutting process), so that the entire joint pipe wall thickness is consistent, There is no weak point, which improves the compressive performance of the whole joint.

2. Better sealing

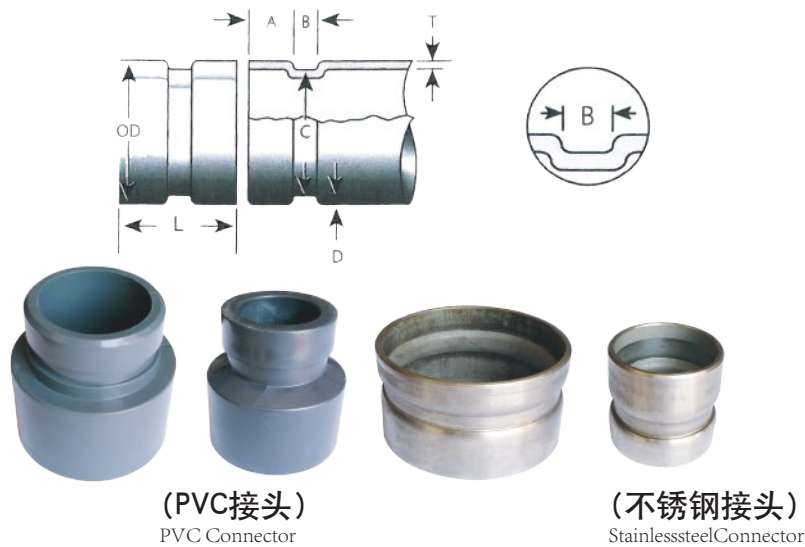
The non-Damage joint outer circle adopts the mindless grinding process, the surface is smooth, can combine perfectly with the rubber seal ring, greatly improves the sealing performance of the whole structure.

3. Beautiful appearance

No damage groove joints All production processes are uniform standards, more aesthetic.

4. Length, pipe wall thickness can be customized according to different needs.

5. Materials can be selected according to different user needs stainless steel (304, 316L, bidirectional stainless steel), carbon steel, copper and other metals.



规格 DN MODEL	管道外径 OD Pipe Outside Diameter			A 密封垫座圈 Gasket Seat Ring	B 槽宽 Groove Width	C 沟槽直径 Groove Diameter		D 槽深 Groove Depth (参考值) reference value	L 长度 Length (参考值) reference value
	基本尺寸 Basic Size	最大 Max	最小 Min			最大 Max	最小 Min		
	40	48.3	48.7	47.8	±0.76 ±0.03	±0.76 ±0.03	45.1	44.4	1.8
50 1	27	57.3	56.6	15.5	7.3	53.1	52.5	2	45
50 2	60.3	60.9	59.7	15.5	7.3	57.2	56.8	2	45
65 1	73	73.8	72.3	15.5	7.3	69.1	68.6	2	48
65 2	76.1	77	75.4	15.5	7.3	72.3	71.8	2	48
80	88.9	89.8	88.1	15.5	7.6	84.9	84.5	2.3	50
100 1	108	109	107.2	16	7.6	103.7	103.2	2.3	55
100 2	114.3	115.4	113.5	16	7.6	110.1	109.6	2.3	55

> 产品简介

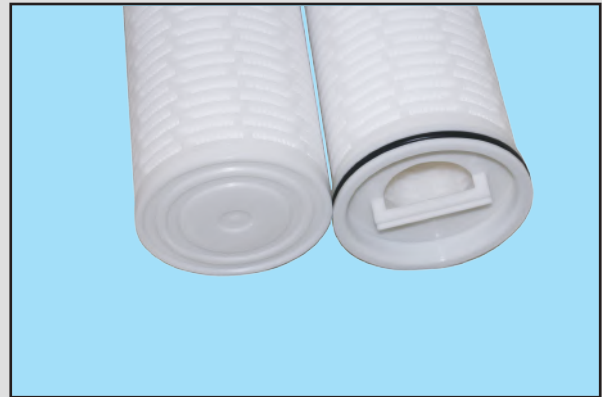
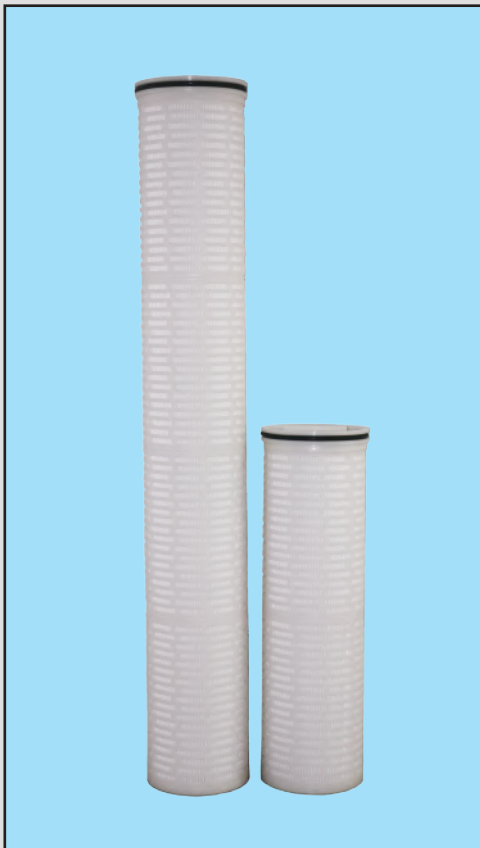
本公司生产的PL系列大流量滤芯有6英寸/152毫米的大直径，没有中心支撑骨架，一端开口，过滤流体流动方式由内到外。部分客户需要在线反冲洗时，我们也为客户提供了内外皆有支撑骨架的定制。

滤芯的大直径设计加上增大了有效过滤面积可以大大减少滤芯数量和减小外壳尺寸。

在许多应用中由于流量大，过滤寿命长都可以降低投资和人力成本。

> 应用领域

- Ro保安过滤，海水淡化预处理
- 电厂冷凝水过滤
- 生物制药行业原料药，溶剂，水的过滤
- 瓶装水，糖液，食用油，果汁，软饮料，牛奶的过滤
- 油漆，涂料，石油化工
- 微电子，胶片，纤维，树脂



> 产品特性

- 渐变孔径结构
- 过滤水时，一支滤芯的流量最高可达110m³/H
- 过滤系统尺寸最大可减少50%
- 可提供20inch/525mm，40inch/1016mm 1524mm长度的滤芯
- 由内到外的流动方向保证所有杂质被截留在滤芯内部

> 技术规格/部件材质

- 滤材：折叠深层聚丙烯(PP)，或熔喷聚丙烯
- 支撑/导流层：聚丙烯
- 端盖：玻璃纤维增强聚丙烯
- O型圈密封材质：EPDM，NBR等

> 滤芯尺寸

- 外径：6inch(152mm)
- 长度：20inch(525mm) 40inch(1016mm) 60inch(1524mm)

> 滤芯尺寸

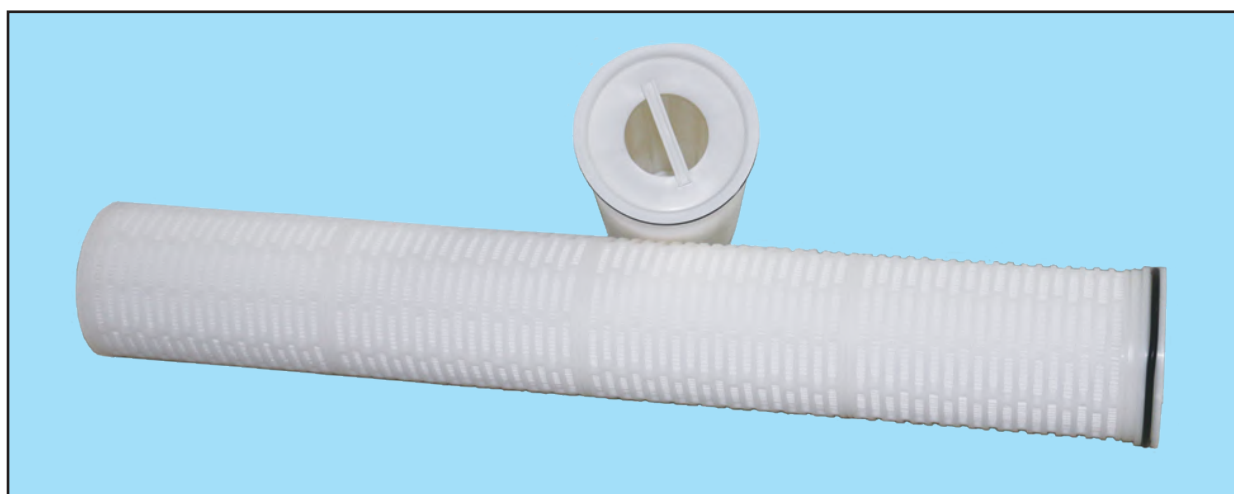
- 最高操作温度：折叠聚丙烯：82°C；熔喷聚丙烯65°C
- 最大压力降：折叠聚丙烯：1.5 Bar，82°C；熔喷聚丙烯：1.03Bar，65摄氏度
- 滤芯更换推荐压力降：1.5Bar @ 20°C
- 建议最大过滤水流量：20inch长滤芯：300升/分钟；40inch长滤芯：600升/分钟；60inch长滤芯：900升/分钟

订货信息

Ordering information

Pall	滤芯尺寸	过滤精度	过滤水流量	滤芯材料
	10"		8t/H	
	20"		15t/H	
	30"		20t/H	
	40"		30t/H	
	60"		45t/H	

注：过滤量视过滤精度与水质而变化。



产品简介

本公司生产的PK系列大流量滤芯提供了一个在大流量场合有效替换深层和其他外径2-1/2"形式的滤芯，例如反渗透预过滤等场合。

每一支PK系列大流量滤芯能处理的流量可达到1300升/分钟，显著减少滤芯数量和滤芯尺寸。

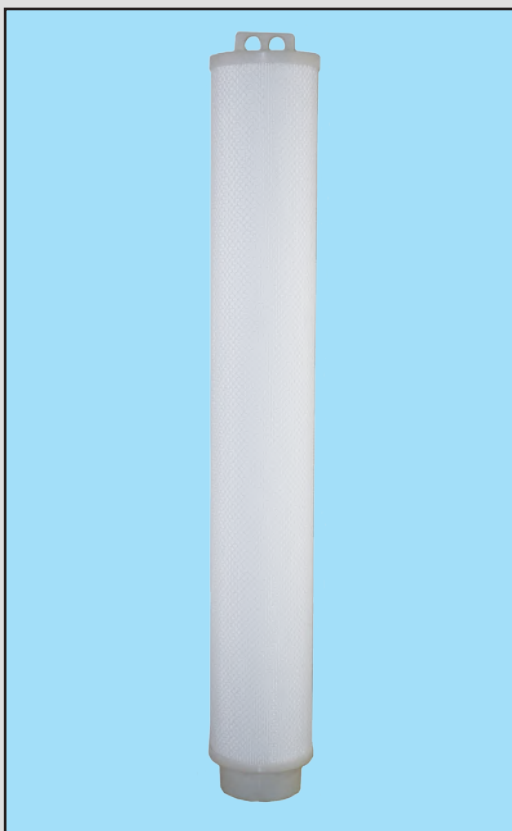
一支滤芯的水处理量相当于10支外径2-1/2"，长度40"的滤芯。

PK系列滤芯采用了独特的ABS加强型内中心支撑骨架设计以及内置O型圈以及手柄设计使用滤芯的安装快速、安全和方便。



应用领域

- Ro保安过滤、海水淡化预处理
- 电厂冷凝水的过滤
- 生物制药行业原料药、溶剂、水的过滤
- 瓶装水、糖液、食用油、果汁、软饮料、牛奶的过滤
- 油漆、涂料、石油化工
- 微电子、胶片、纤维、树脂



产品特性

- 在超高纳污量的保证下，延长了使用寿命，从而降低了成本
- 所需更换滤芯的数目大量减少，从而节省了劳动力成本
- 密封接口的设计降低了旁流的风险，从而提高了过滤效率
- 容易安装，低劳动成本
- 广泛的化学应用性可应用于多种领域

技术规格/部件材质

- 滤材：聚丙烯，玻璃纤维
- 支撑/导流层：ABS加强型中心杆
- 端盖：玻璃纤维增强聚丙烯
- O型圈密封材料：EPDM

滤芯尺寸

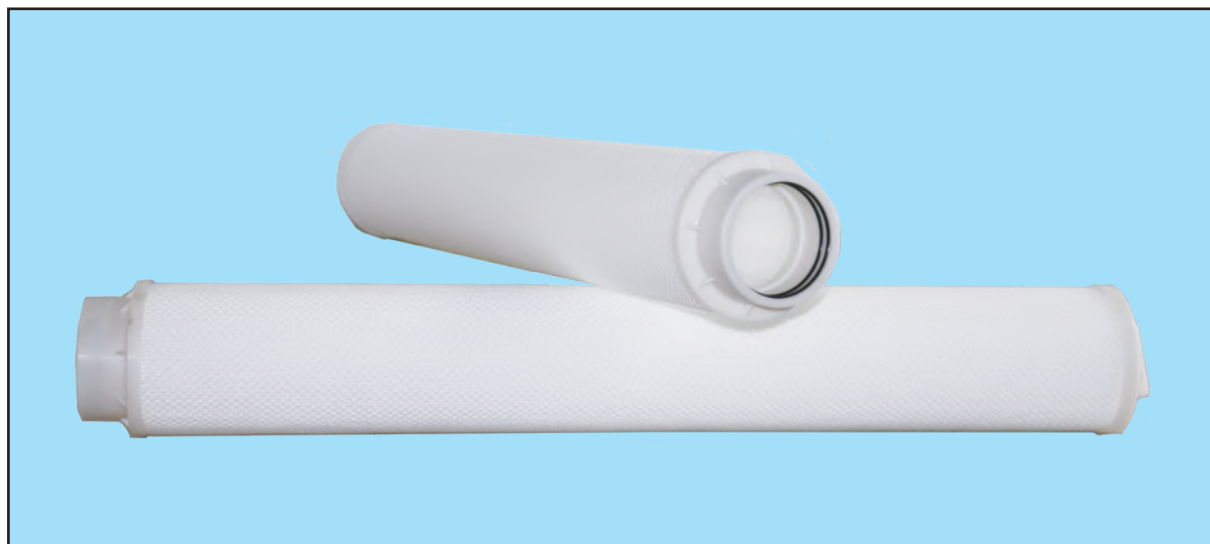
- 外径：6英寸(152mm)
- 内径：3.5英寸(89mm)
- 长度：40英寸(1010mm)
- 操作条件：最高操作温度：82°C
- 最大压力降：1.5Bra
- 建议最大过滤水注流量：600L/min

订货信息

Ordering information

	滤芯尺寸	过滤精度	过滤水流量	滤芯材料
Pake	40"	1~100 μ m	25 t/H	玻璃纤维、聚丙烯、增强型聚丙烯、乙丙橡胶

注：过滤量视过滤精度与水质而变化。



> 产品简介

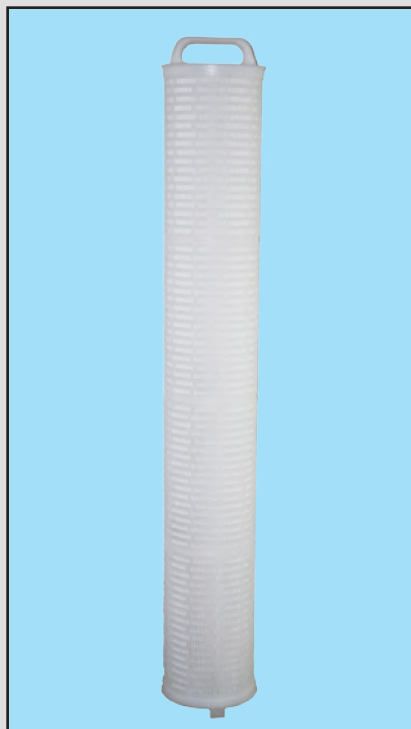
3M系列滤芯是本公司为适应市场需要开发的新产品。

设计用于多种容器，这些容器可容纳多个滤芯，可用于多种流量要求，硬件具有价格竞争优势。

滤芯的大直径设计增大了有效过滤面积，可以大大减少滤芯数量和减小外壳尺寸。

> 应用领域

- Ro保安过滤、海水淡化预处理
- 电厂冷凝水的过滤
- 生物制药行业原料药、溶剂、水的过滤
- 瓶装水、糖液、食用油、果汁、软饮料、牛奶的过滤
- 油漆、涂料、石油化工
- 微电子、胶片、纤维、树脂



> 产品特性

- 在超高纳污量的保证下，延长了使用寿命，从而降低了成本
- 所需更换滤芯的数目大量减少，从而节省了劳动力成本
- 密封接口的设计降低了旁流的风险，从而提高了过滤效率
- 容易安装，低劳动成本
- 广泛的化学应用性可应用于多种领域

> 技术规格/部件材质

- 滤材：玻璃纤维、聚丙烯 (PP)
- 支撑/导流层：聚丙烯
- 端盖材质：玻璃纤维增强聚丙烯
- 密封圈材质：乙丙橡胶 (EPDM)

> 滤芯尺寸

- 外径：6英寸(160mm) 内径：(70mm)
- 长度：1040mm
- 操作条件：最高操作温度82°C
- 最大压差：1.5Bra
- 最大过滤水流量：600L/min

	滤芯尺寸	过滤精度	过滤水流量	滤芯材料
3M	40"	1~100 μm	30t/H	玻璃纤维、聚丙烯、乙丙橡胶、丁晴橡胶

注：过滤量视过滤精度与水质而变化。

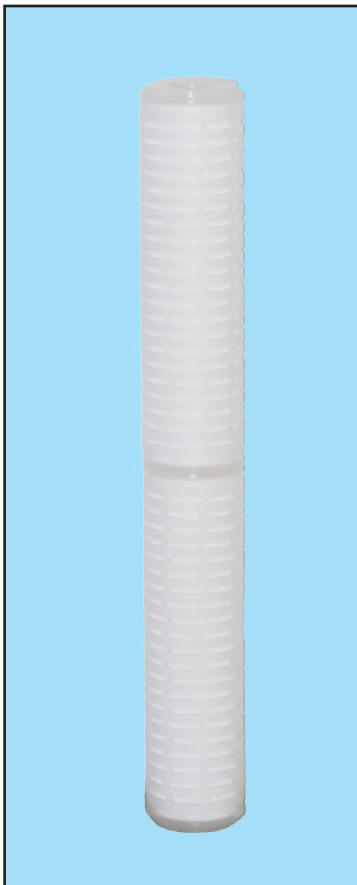
微孔折叠大流量滤芯

> 产品介绍

WDL微孔折叠滤芯是由超细聚丙烯纤维膜及无纺布或（丝网）为支撑层折叠而成，滤芯外壳、中心杆及端盖均采用热熔焊接技术加工成型，不含任何胶合剂，无泄漏，无二次污染。

> 应用领域

- 医药行业：各种抗菌素等药液的前置过滤
- 食品饮料业：酒类、矿泉水、饮用水的过滤
- 石油工业：油田注水过滤
- 电子工业：高纯水前置过滤
- 化学工业：各种有机溶剂、酸、碱液的过滤



> 产品特性：

杰出的化学兼容性，适合过滤强酸、强碱及有机溶液；滤膜为折叠式深层过滤，膜过滤面积大；压差低，纳污能力强，使用寿命长；有多种过滤精度可选择；渐进式孔径变化提供超高纳污能力。

> 技术参数

- 滤芯材质：滤材：聚丙烯（PP）
- 支撑/导流层：聚丙烯
- 外壳/中心杆/端盖：聚丙烯
- 密封圈材质：乙丙橡胶、硅橡胶、丁晴橡胶、氟橡胶

> 滤芯性能

- 过滤精度：1 μm、3 μm、5 μm、10 μm、20 μm、50 μm、100 μm
- 最高使用温度：折叠聚丙烯：82°C；熔喷聚丙烯：65°C
- 最大压降：折叠聚丙烯：1.5Bar；熔喷聚丙烯：1.03Bar
- 更换推荐压力降：1.5Bar、20°C
- 最大流量：20" 滤芯40L/min、40" 滤芯80L/min、60" 滤芯120L/min

微孔折叠	滤芯尺寸	过滤精度	过滤水流量	滤芯材料
	20"	1~100 μm	3m ³ /h	玻璃纤维、聚丙烯、乙丙橡胶、丁晴橡胶
	40"		5m ³ /h	
	60"		7m ³ /h	

注：过滤量视过滤精度与水质而变化。。



> 产品介绍

WDL-PP滤芯是由超细聚丙烯纤维膜制作而成，不含任何胶合剂，无泄漏，无二次污染。

> 应用领域

- 医药行业：各种抗菌素等药液的前置过滤
- 食品饮料业：酒类、矿泉水、饮用水的过滤
- 石油工业：油田注水过滤
- 电子工业：高纯水前置过滤
- 化学工业：各种有机溶剂、酸、碱液的过滤

> 产品特性:

杰出的化学兼容性，适合过滤强酸、强碱及有机溶液；滤膜为折叠式深层过滤，膜过滤面积大；压差低，纳污能力强，使用寿命长；有多种过滤精度可选择；渐进式孔径变化提供超高纳污能力。

> 技术参数

- 滤芯材质：滤材：聚丙烯 (PP)

> 滤芯性能

- 过滤精度:1 μm、3 μm、5 μm、10 μm、20 μm、50 μm、100 μm
- 最高使用温度：熔喷聚丙烯：65°C
- 最大压降：熔喷聚丙烯：1.03Bar
- 更换推荐压力降：1.5Bar、20°C
- 最大流量：20 " 滤芯5L/min、40 " 滤芯7L/min、60 " 滤芯15L/min

	滤芯尺寸	过滤精度	过滤水流量	滤芯材料
微孔折叠	10"	1~100 μm	0.5m ³ /h	聚丙烯
	20"		1m ³ /h	
	30"		1.5m ³ /h	
	40"		2m ³ /h	
	60"		3m ³ /h	

注：过滤量视过滤精度与水质而变化。。

